

OMEGA TERRA PLANTER

NEW

Elevate your space with the **NEW Omega II Fence Systems®** product. The sleek fiberglass **Omega Terra Planter** are made by the reputable company, Old Town Fiberglass, and now come with a green screen option (ECO) or the UNIK perforated panel for design accents, shading and privacy.

Whether indoors or outdoors, these stylish Omega Terra Planter are designed to showcase your favorite plants and create an enjoyable space with as little or as much privacy as you would like! Choose from using the exclusive Omega UNIK design for a touch of flair or go green and let the vines climb on the Omega ECO fence. Both settings will offer natural shading and privacy at a competitive price.

- Transform your space with added privacy and shade
- Cultivate a stylish and naturally vibrant environment
- Perfect for both indoor and outdoor installations
- Can be used with lockable casters to create a temporary application
- Improve the overall mood of a space with plants

Common Indoor/Outdoor Uses:

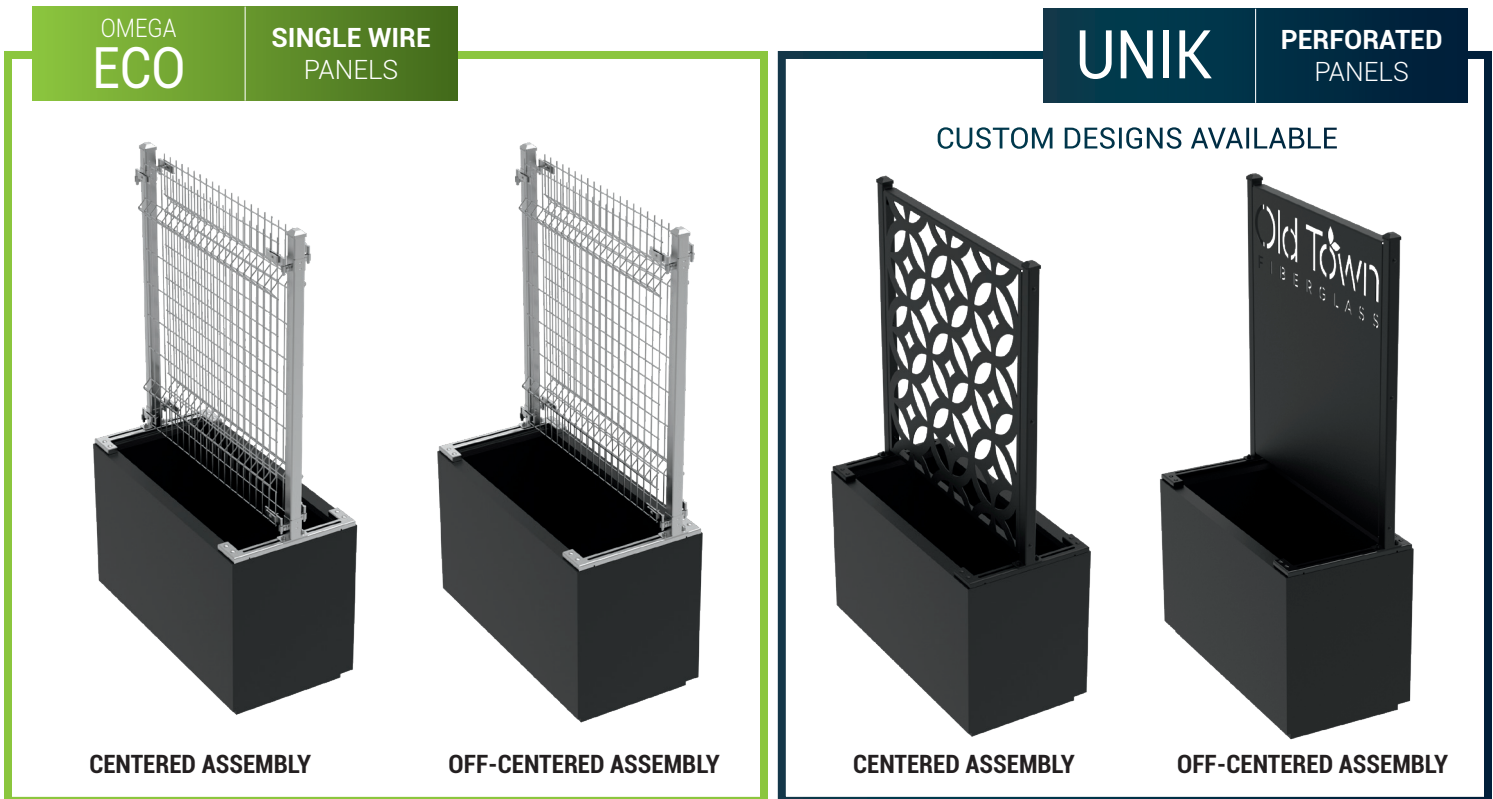
- Restaurants
- Patios
- Lobbies
- Parks
- Universities
- Commercial or Residential builds for interior décor and curbside appeal
- Separating Office Spaces



OMEGA TERRA PLANTER

NEW

This product is available with 2 standard systems both powder coated in standard or optional colors:

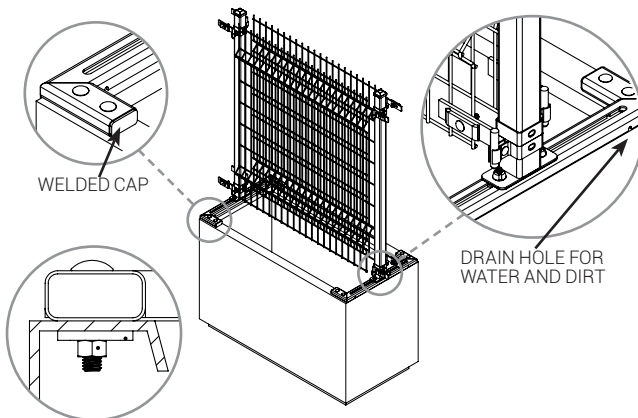


You have the choice to install your fence either centered on the Omega Terra Planter or opt for an off-center assembly, allowing for the creation of various styles, designs and colors.

TECHNICAL INFORMATION

Installation made simple:

- Use 12 screws to connect the panel's base securely to the planter
- Attach the post to the base
- Install the panels using standard procedures
- Complete the installation by planting your plants



Installation Tips:

This system allows you to slide the panels to the edge of the planter to make planting easy. You can increase your planting area by leaving the UNIK panels on the edge of the planter or have it centered for planting on both sides. The ECO is intended to support vine growth and is encouraged to be used in the center of the planter with the vines installed between the 2 panels. Make sure the V-bends are pointing towards one another to assist the vines from jumping from one panel to the other.

COLORS Omega ECO: Metallic silver Omega UNIK: Black (Standard) Planter: 21 standard colors

