

FULLER Architectural Panels  
ENHANCING MILLWORK PACKAGES



## OUR TRACERY PANELS ARE LOOKING UP

Available Thicknesses Include: 1/4", 1/2", 3/4", 1" and 1-1/2"(N/A Black)





Pattern FP80 Shown

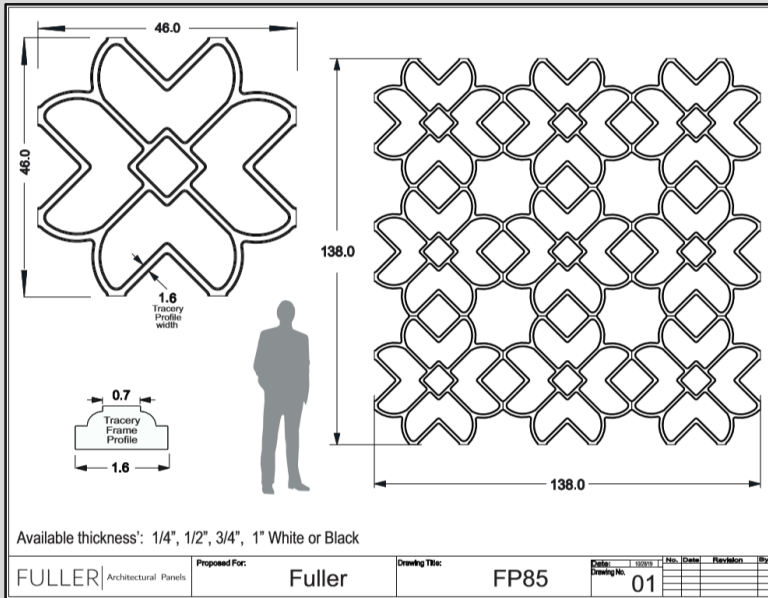
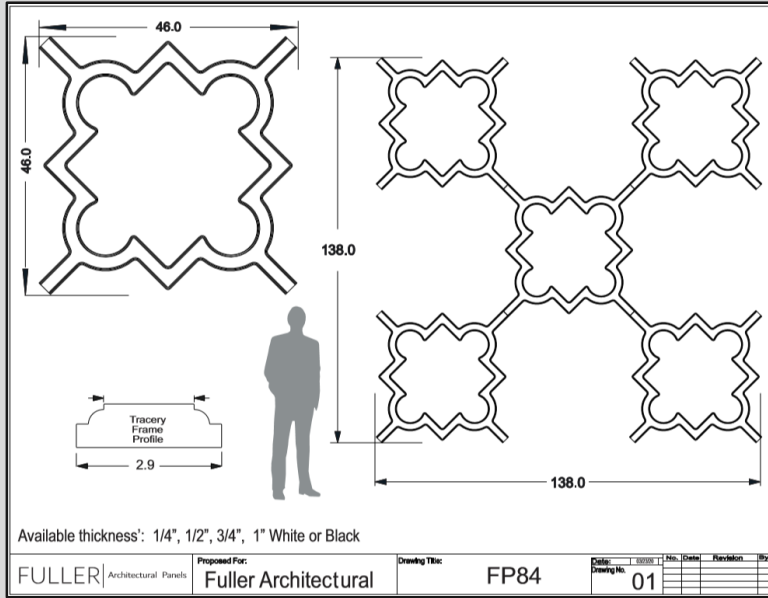
We studied plaster-based tracery installations from around the world with the objective of fabricating similar stunning patterns in a modular format so as to reduce installation time while maintaining the look and feel of these established designs.

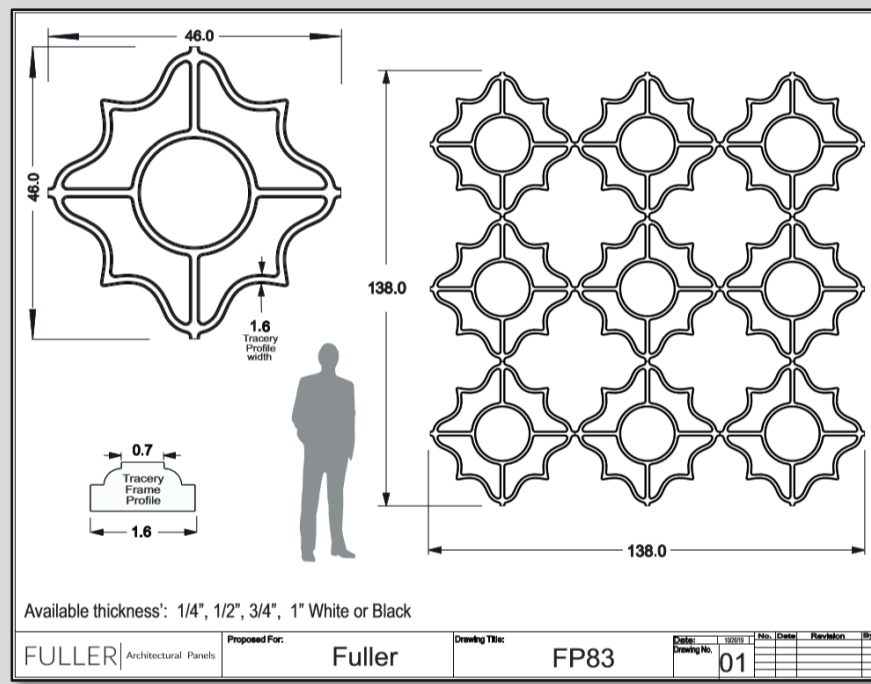
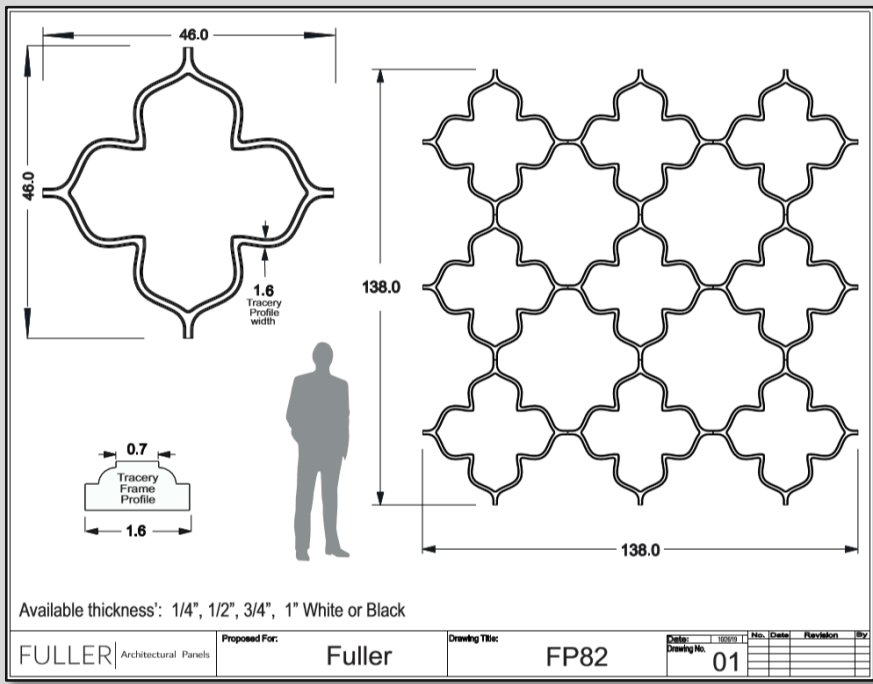
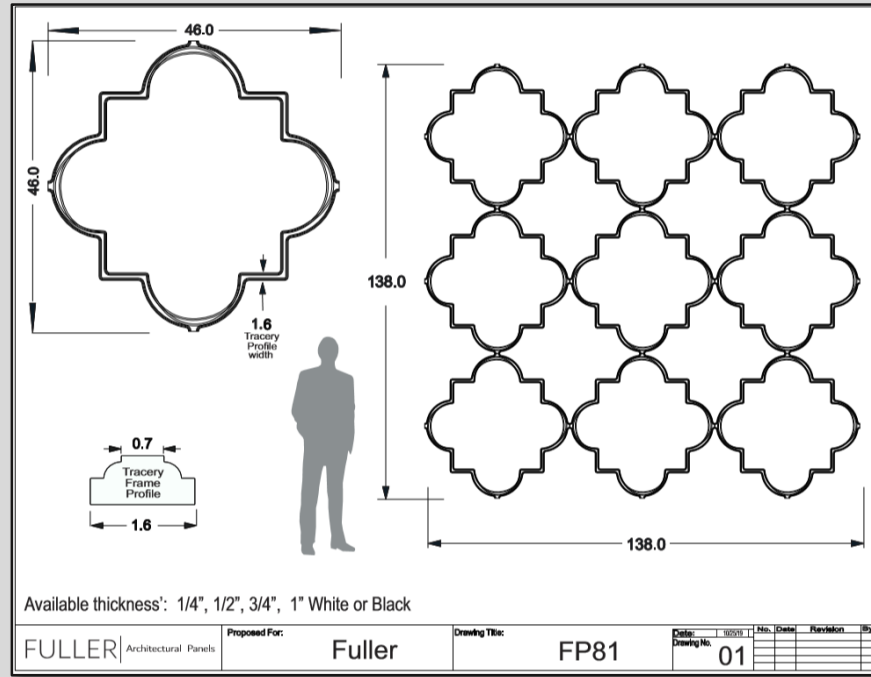
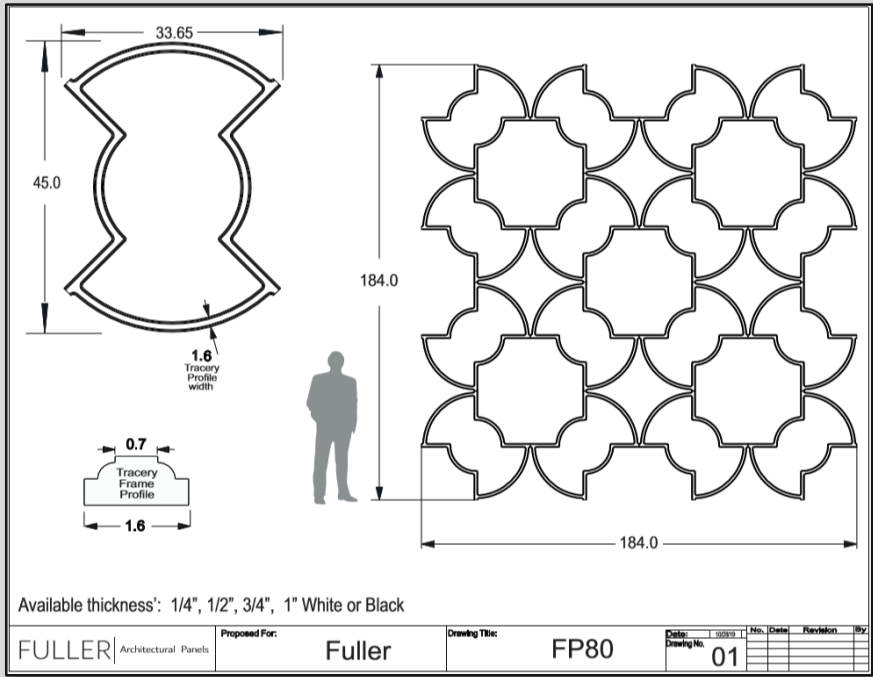
Think about this. All panels are designed to allow users to mix and match with any of our other designs therefore allowing for an endless combination of unique patterns.

Our customizable products are milled out of PVC therefore are lightweight, durable, paint/stain grade, affordable and installed with standard wood working tools and processes.

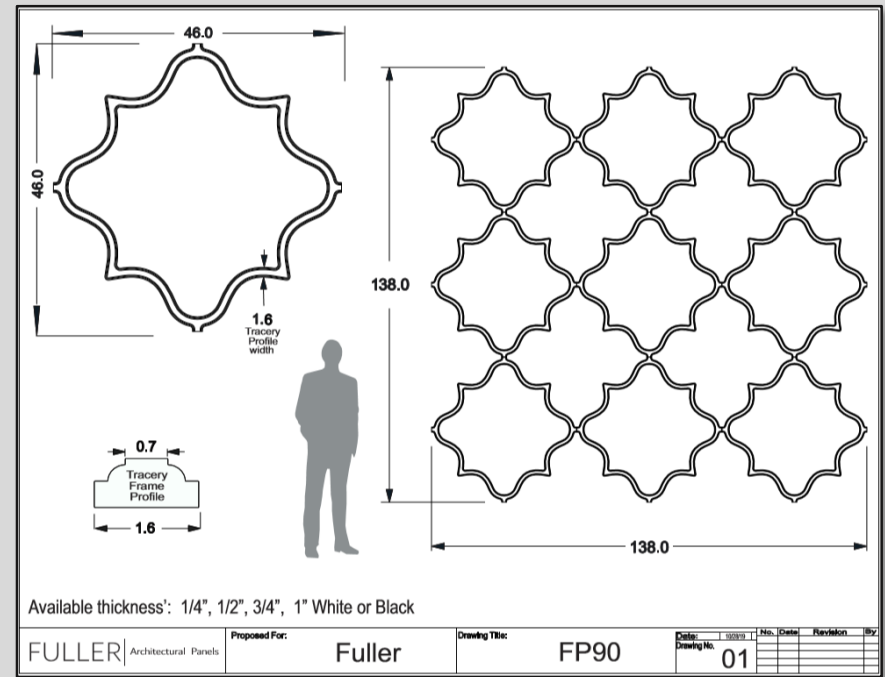
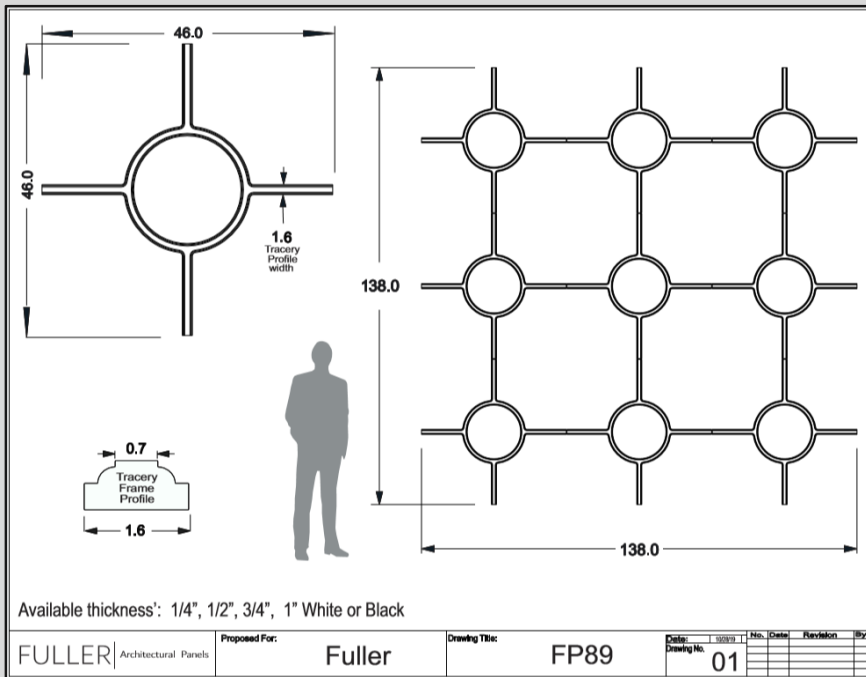
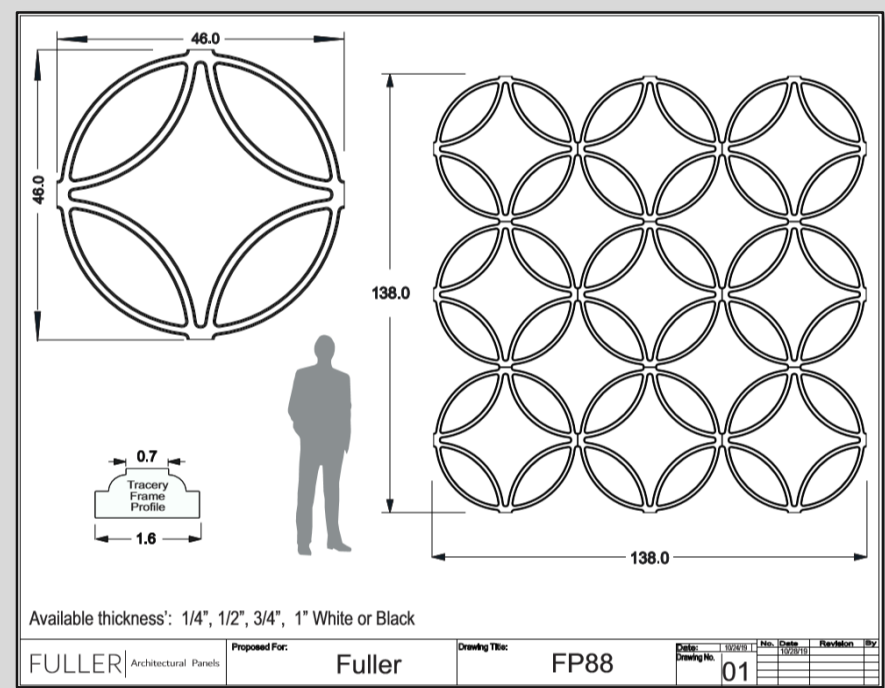
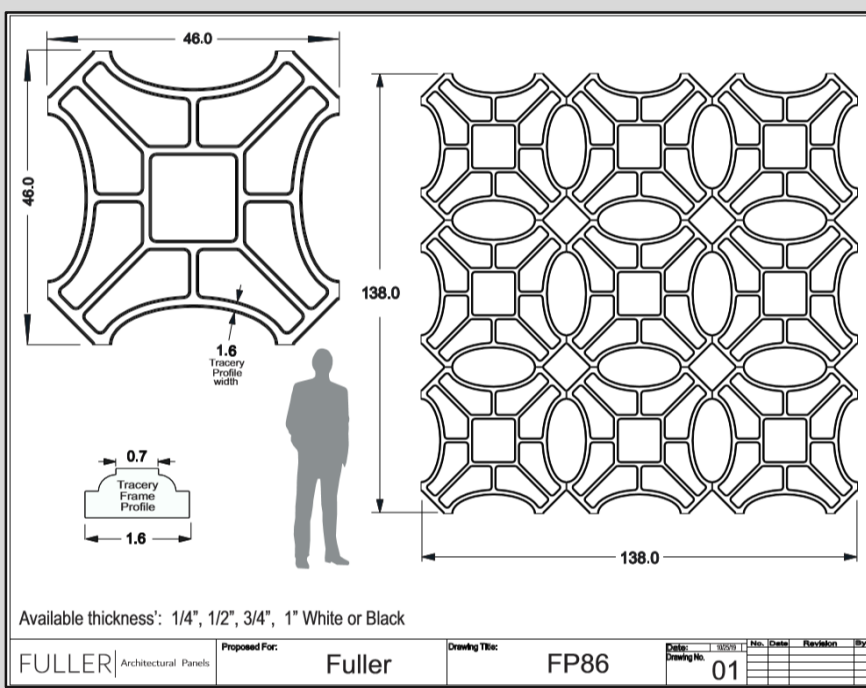


# DESIGN COMPENDIUM









919|720-4252

hello@fullerap.com  
www.fullerap.com

Pattern: FP88

#### Installation

- Install using conventional woodworking techniques including adhesives and/or fasteners.
- Carbide tipped blades are recommended.
- Standard PVC cements or Cellular PVC cements provide a strong bond. Glue all joints to prevent separation.

#### Finishing

- Sand imperfections in material.
- Wipe with acetone or similar prior to applying PVC primer.
- Fill any gaps and fastener holes with PVC approved caulk or similar prior to applying primer.
- Apply PVC approved primer prior to final topcoat of choice.

#### Touch Up

- Recommend non solvent based fillers such as all-purpose painter's putty, high performance wood filler or latex caulk.

#### Storage and Handling

- Store items on a flat surface.
- Keep product free of dirt and debris. If items get dirty use warm water with detergent to clean.

#### Additional

- Available Raw Material Colors: White & Black
- Available Thicknesses; ¼", ½", ¾", 1" and 1-1/2"
- Standard dimensions subject to change without notice.
- Allow 4-6 weeks to fulfill your order from design approval.
- Custom projects require a 50% deposit with full payment due prior to shipment.
- 20% restock fee on approved returns. Custom projects are not returnable.
- Pricing is USD and does not include packaging, shipping and applicable taxes.

#### Warranty

##### 5 YEAR LIMITED WARRANTY FOR PVC PRODUCTS

Fuller Architectural Panels (hereinafter "Manufacturer") warrants that PVC products will not rot, split or suffer structural damage from termite or fungal decay for a period of ten (5) years from Fuller Architectural Panels. Fuller Architectural PVC Products are "Expanded Foam PVC (polyvinyl chloride) sheets. "Purchaser's sole remedy for any claim whatsoever, whether in contract, warranty, tort, or strict liability, arising out of the use, storage or possession of Fuller Architectural Panels, including without limitation any claim that Fuller Architectural Panels fail to perform as warranted, shall be replaced with Fuller Architectural Panels. To obtain replacement, the original owner must submit this warranty certificate, with the original purchase invoice indicating the date of purchase, picture of the defective product and detailed description to Fuller Architectural Panels, 2009 Fairview Road #6731 Raleigh, North Carolina 27628. MANUFACTURER'S LIABILITY UNDER WARRANTY IS LIMITED SOLELY TO REPLACEMENT OF DEFECTIVE PRODUCT. THIS WARRANTY SHALL NOT APPLY TO PRODUCT WHICH HAS NOT BEEN INSTALLED IN ACCORDANCE WITH INSTALLATION GUIDELINES SPECIFIED IN THE MANUFACTURER'S "INSTALLATION INSTRUCTIONS", OR TO PRODUCT WHICH HAS BEEN AUSED, PLACED UNDER OR SUBJECTED TO ABNORMAL USE CONDITIONS OR USED, MODIFIED OR OTEHRWISE TREATED IN ANY MANNER OTHER THAN AS INTENDED BY MANUFACTURER. IN NO EVENT SHALL MANUFACTURER BE LIABLE FOR LABOR, EXEMPLARY OR CONSEQUENTIAL DAMAGES OF ANY KIND WHATSOEVER. PURCHASER IS SOLELY RESPONSIBLE FOR DETERMINING THE SUITABILITY OF USE OR APPLICATION OF ANY FULLER ARCHITECTURAL PRODUCT, OR WHETHER PRODUCT MEETS REQUIREMENTS OF APPLICABLE BUILDING CODES OR SAFETY CODES FOR SPECIFIC APPLICATIONS. No person or entity is Authorized by Manufacturer to make, and Manufacturer shall not be bound by any statement or representation as to the performance of Fuller Architectural Panels products other than amended or altered except in a written instrument signed by Manufacturer and Purchaser.